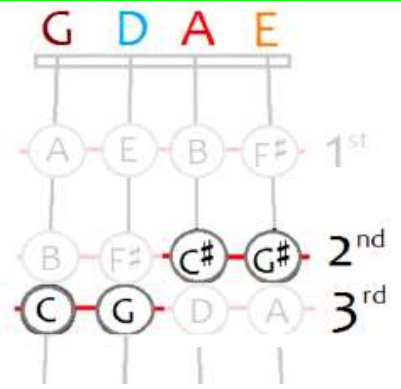
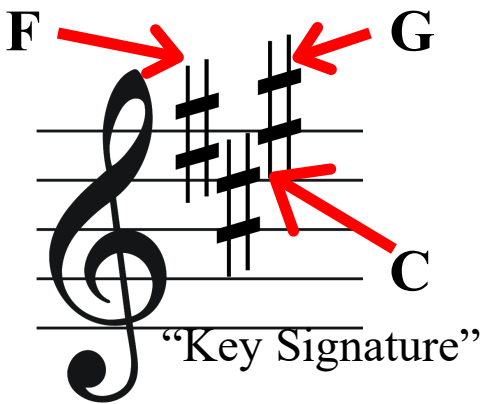


Remember the “Beginner Scale”?

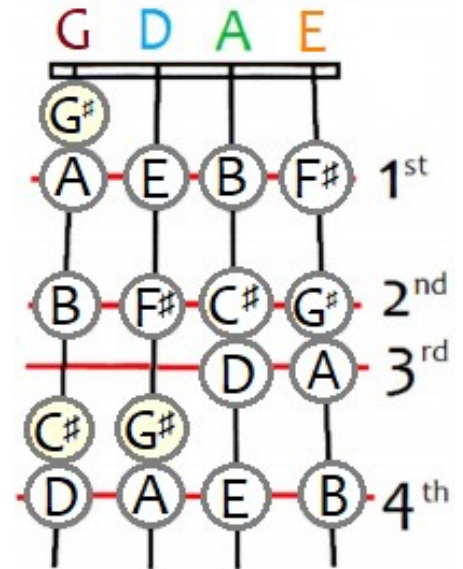
The 2nd finger on A and E strings: **C#** and **G#**
but, The 3rd fingers on G and D strings: **C** and **G**



In “**A Major**”, we want them to be the same!
All F, C, and G notes must become **F#**, **C#**, and **G#**!



So, in A Major,
we play **high 3rd finger**
on the **G and D strings**!



“A Major” Scale



Scale Variations:

